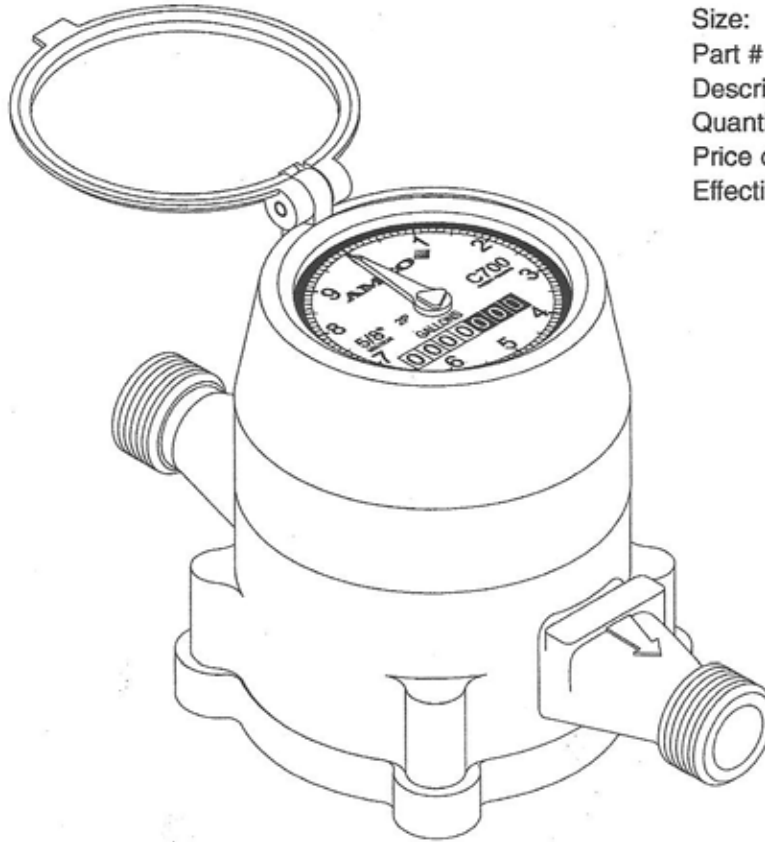


C700 Waterworks and Low-lead Bronze Positive Displacement Cold Water Meters

5/8", 3/4" and 1"



When ordering parts, please include:
 Model: C700
 Size:
 Part #
 Description
 Quantity of each part
 Price of each part
 Effective Date: January 15, 2003

AMCO Water Metering Systems Inc.
www.amcowater.com

United States – ISO 9002 Registered
 AMCO Water Metering Systems
 P.O. Box 1852
 Ocala, FL 34478-1852
 352-732-4670 FAX 352-368-1950
 Outside Florida: 800-874-0890
 Inside Florida: 800-356-6829
 e-mail: watermeters@amcowater.com

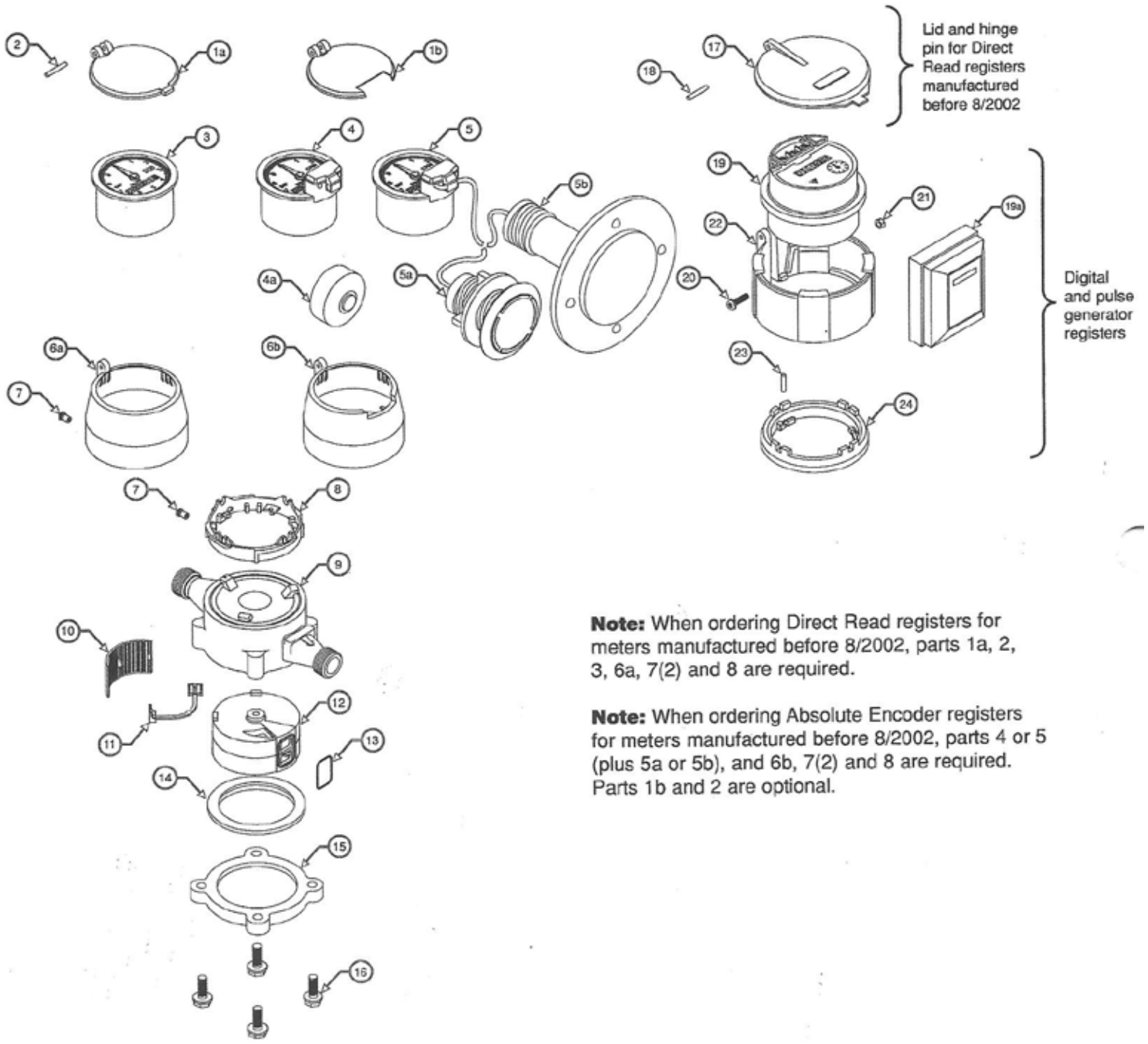
Caribbean
 AMCO Water Metering Systems
 P.O. Box 225
 Carretera 112 KM 2.3
 Isabela, PR 00662
 787-872-2006
 FAX 787-872-5427
 e-mail: prwatermeters@amcowater.com

Canada
 Elster Water
 3450 Harvester Road
 Burlington, Ontario L7N 3W5
 866-703-7582
 905-634-4895
 FAX 905-634-6705
 e-mail: watermeters@ca.elster.com

Mexico
 Elster Medidores
 Lago Onega #281
 Col. Modelo Pensil.
 Del. Miguel Hidalgo
 C P 11460
 525 55 203 8002
 FAX 525 55 203 8270
 e-mail: amcowater@prodigy.net.mx

C7-P/P-5634101-03

©2003 AMCO Water Metering Systems Inc. All rights reserved.



Note: When ordering Direct Read registers for meters manufactured before 8/2002, parts 1a, 2, 3, 6a, 7(2) and 8 are required.

Note: When ordering Absolute Encoder registers for meters manufactured before 8/2002, parts 4 or 5 (plus 5a or 5b), and 6b, 7(2) and 8 are required. Parts 1b and 2 are optional.